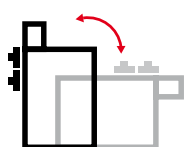
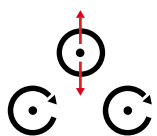




BS 50 M - BS 50 HV

双驱动辊经济型辊弯机
















Bending machine with two driving rolls






















SER
EASY PERFORMING

www.tauringroup.com


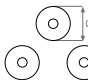
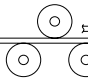
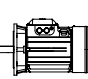
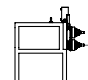
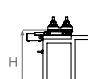
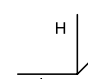
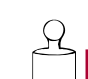
最大弯曲能力
Maximum bending capacities

POSITION	mm	R. mm	S - O
 1a	60 x 25	300	ST - TR
 1b	60 x 12	300	ST
 2a	30 x 30	250	ST - TR
 3a	50 x 50 x 6	300	ST
 3b	45 x 45 x 5	300	ST/SP - AI
 5a	50 x 50 x 6	300	ST - TR
 5b	45 x 45 x 6	200	ST - TR
 6a	UPN 60	250	ST/SP - TR
 6b	UPN 60	300	ST/SP - TR
 9a	60 x 2	400	RT - TR
 9b	1 1/2 gas	300	RT - TR
 9c	35	250	ST/RT
 10a	60 x 30 x 4	500	ST/RQ - TR
 10b	50 x 30 x 4	450	ST/RQ
 11a	50 x 50 x 3	500	ST/RQ - TR

附件工具
Tools

	AI O		RQ O
	AIC O		RVT O
	SI O		RVQ O
	AC O		FT O
	AL O		FP O
	TR O		TOR O
	ST S		ATV O
	SP O		RIB O
	RT O		ARC 50 O
	RO O		

技术参数
Technical Data

	mm 95
	mm 137 mm 147
	min ⁻¹ 13
	kW 2,2
	cm 83
	cm 100
	L x P x H cm 82 x 95 x 140
W	cm ³ 7,2
	kg 300

以上所有技术参数，可能随厂家的技术研发制造或升级换代而随时进行修改，恕不另行通知。

Technical data, capacities and specifications are not binding and may be modified without prior notice.

S: 标配 O: 选配