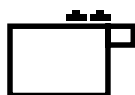
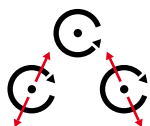




ALPHA 60 CNC-i E

九独立轴螺旋管辊弯机







Electrical bending machine with 9 independent interpolated axis



tauring
TOP PERFORMING

www.tauringroup.com












最大弯曲能力
Maximum bending capacities

POSITION	mm	R. mm	S - O
 9a	60 x 3	800	RT
 9b	2" gas	500	RT
 9c	40	400	RT
 10a	60 x 30 x 3	2.000	RQ
 10b	70 x 25 x 3	2.000	RQ
 11a	50 x 50 x 3	2.000	RQ

以上所有参数，可能随厂家的技术研发制造或升级换代需要随时进行修改，恕不另行通知。

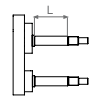
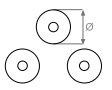
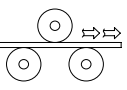
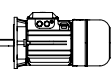
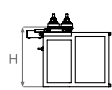
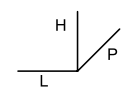

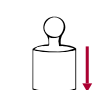
Technical data, capacities and specifications are not binding and may be modified without prior notice.

附件工具
Tools

	AIC S		RQ O
	SI O		GA O
	AC S		PI GA/1 O
	AL O		DSA O
	RT O		ARC 50 O
	RO O		

S: 标配 O: 选配

技术参数
Technical Data

	mm 60
	mm 150 mm 165
	min ⁻¹ 32
	kW 20
	cm 120
	L x P x H cm 200 x 250 x 120
	W cm ³ 7,2
	kg 1.420