

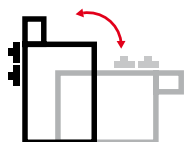
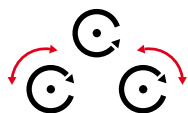


注:图中RIB附件为选配件

# ALFA 40

## 三驱动辊经济型辊弯机
















*Bending machine with three driving rolls*



**tauring**  
TOP PERFORMING

[www.tauringroup.com](http://www.tauringroup.com)





















最大弯曲能力  
Maximum bending capacities

POSITION	mm	R. mm	S - O
<b>1a</b>	 60 x 15 60 x 20	130 300	ST ST
<b>1b</b>	 50 x 8 50 x 10	300 300	ST ST
<b>2a</b>	 25 28	250 600	ST ST
<b>3a</b>	 50 x 50 x 5 50 x 50 x 7	300 500	ST/SP SP
<b>3b</b>	 40 x 40 x 4 45 x 45 x 5	300 600	ST/SP - AI SP - AI
<b>5a</b>	 60 x 30 x 5.5 50 x 50 x 5	250 500	ST ST
<b>5b</b>	 60 x 30 x 5.5 45 x 45 x 6	300 600	ST ST
<b>6a</b>	 UPN 50 UPN 60	250 400	ST/SP SP
<b>6b</b>	 UPN 50 UPN 60	250 350	ST/SP SP
<b>9a</b>	 50 x 1.8 60 x 2	700 800	RT RT
<b>9b</b>	 1" gas 1.5" gas	250 300	RT RT
<b>9c</b>	 28 30	150 300	RT RT
<b>10a</b>	 50 x 25 x 2.5 60 x 30 x 2.5	700 1.000	ST/RQ ST/RQ
<b>10b</b>	 40 x 20 x 2.5 50 x 25 x 2.5	700 600	ST/RQ ST/RQ
<b>11a</b>	 40 x 40 x 2 45 x 45 x 2.5	600 1.000	ST/RQ ST/RQ

以上所有参数，可能随厂家的技术研发制造或升级换代需要随时进行修改，恕不另行通知。

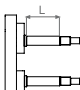
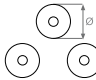
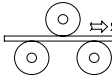
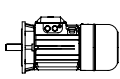
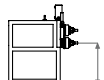
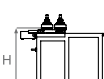
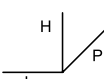

Technical data, capacities and specifications are not binding and may be modified without prior notice.

附件工具  
Tools

	AI O		RQ O
	AIC O		RVT O
	ROS ROS PLUS O		RVQ O
	AC O		FT O
	AL O		FP O
	TR O		GA O
	ST S		PI GA/1 O
	SP O		DSA O
	RT O		RIB O
	RO O		ARC 50 O

S: 标配 O: 选配

技术参数  
Technical Data

	mm 95
	mm 137 147
	min <sup>-1</sup> 13
	kW 3,75
	cm 100
	cm 94
	L x P x H cm 116 x 76 x 128
<b>W</b>	cm <sup>3</sup> 4.2
	kg 400